



POWER - TOROIDAL GLOBAL USE 182 SERIES



Key Features:

- Low profile, lightweight, cool running - due to high efficiency toroidal design
- Dual 117/234 VAC primary, 50/60 Hz. operation
- 98 standard models from 6VAC to 240VAC output.
- 15 standard VA sizes from 15 - 1,500VA
- Center single hole mounting
- Supplied with two rubber insulating pads, one metal centering washer and all mounting hardware
- Center bolt size is 10-24 x 3 inch RHMS zinc plated
- Minimum 8" long flexible leads
- Due to toroid design - no electrostatic shield required
- Hi-Pot test of 4,000V RMS between primary & secondary
- CSA certified
- UL recognized
- CE certified

For more information on this series, go to:

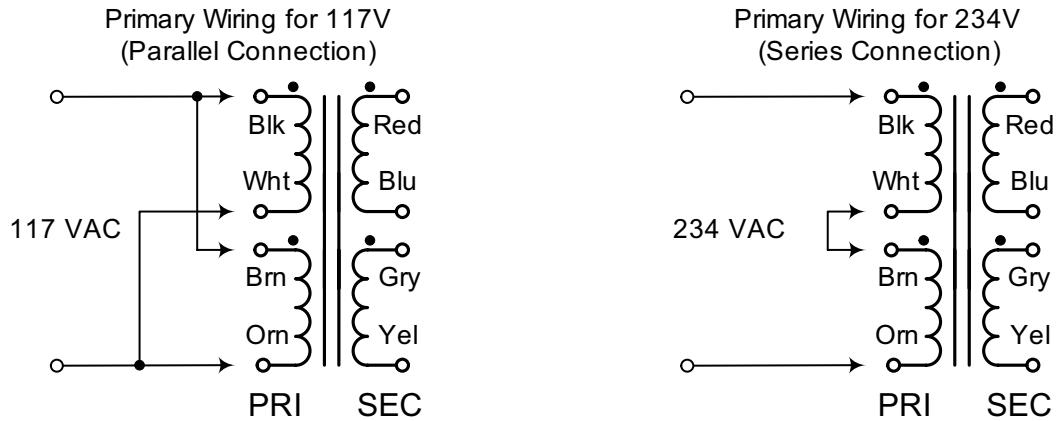
<http://www.hammondmfg.com/182.htm>

www.hammondmfg.com

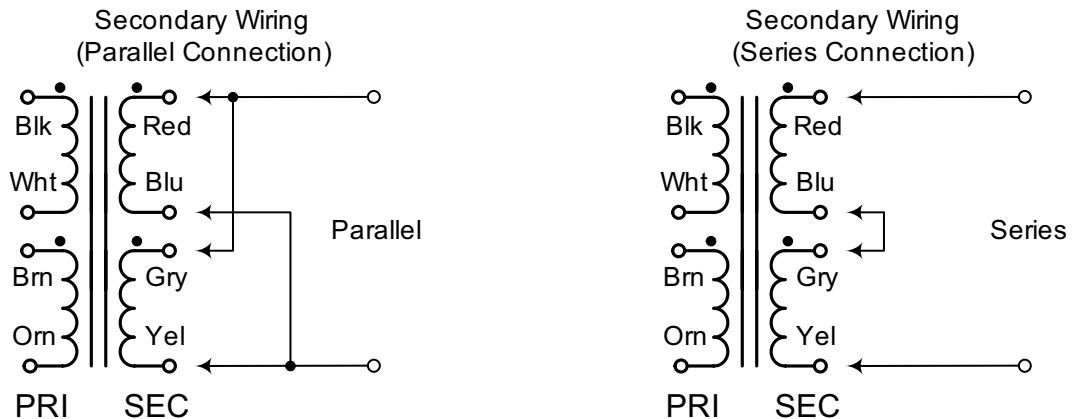
Connection Information

182 Series Toroidal Power Transformers

Primary Connections - 182 Series Transformers



Secondary Connections - 182 Series Transformers



Secondary Wiring
(Only Single Secondary Models)

